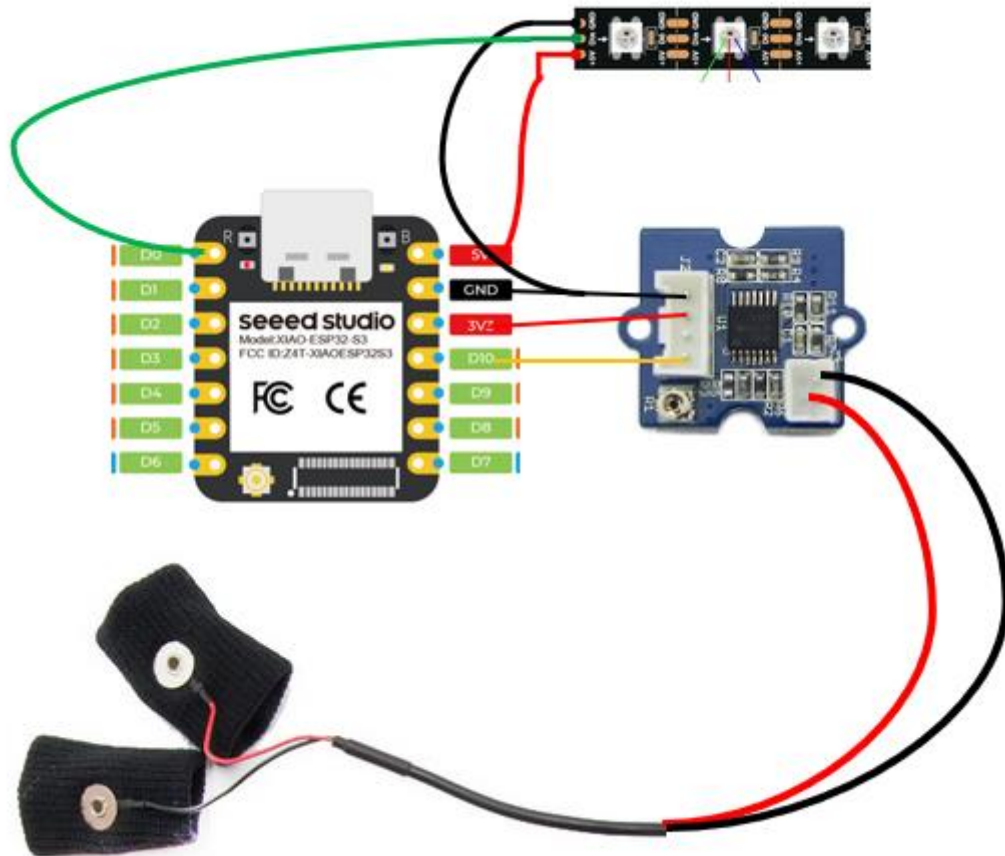


Components:

1. XAIO ESP32S3 micro controller
2. Waveshare 1.28 inch LCD watch display
3. Grove GSR sensor
4. WS2812B RGB LED
5. Jumper cables and Watch strap

Circuit:



Code for GSR sensor:

```
const int GSR=A0;
int sensorValue=0;
int gsr_average=0;

void setup(){
  Serial.begin(9600);
}

void loop(){
  long sum=0;
  for(int i=0;i<10;i++)    //Average the 10 measurements to remove the glitch
  {
    sensorValue=analogRead(GSR);
    sum += sensorValue;
    delay(5);
  }
  gsr_average = sum/10;
  Serial.println(gsr_average);
}
```

Reference code for RGB LED:

<https://github.com/FastLED/FastLED>

Reference code for Watch display:

<https://files.waveshare.com/upload/9/9d/RP2040-LCD-1.28.zip>